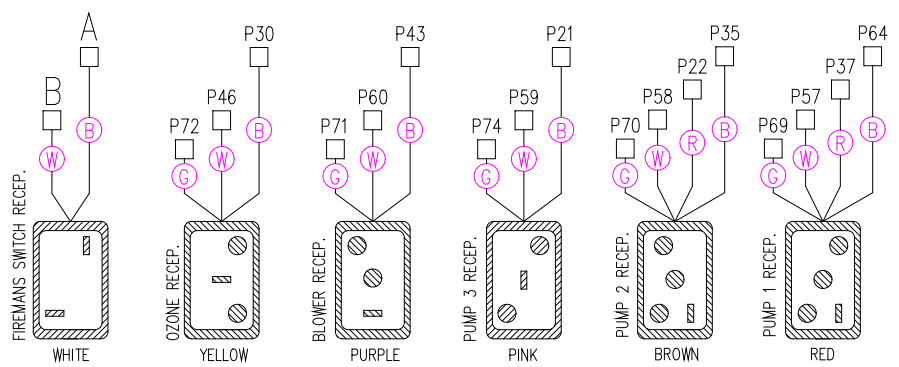
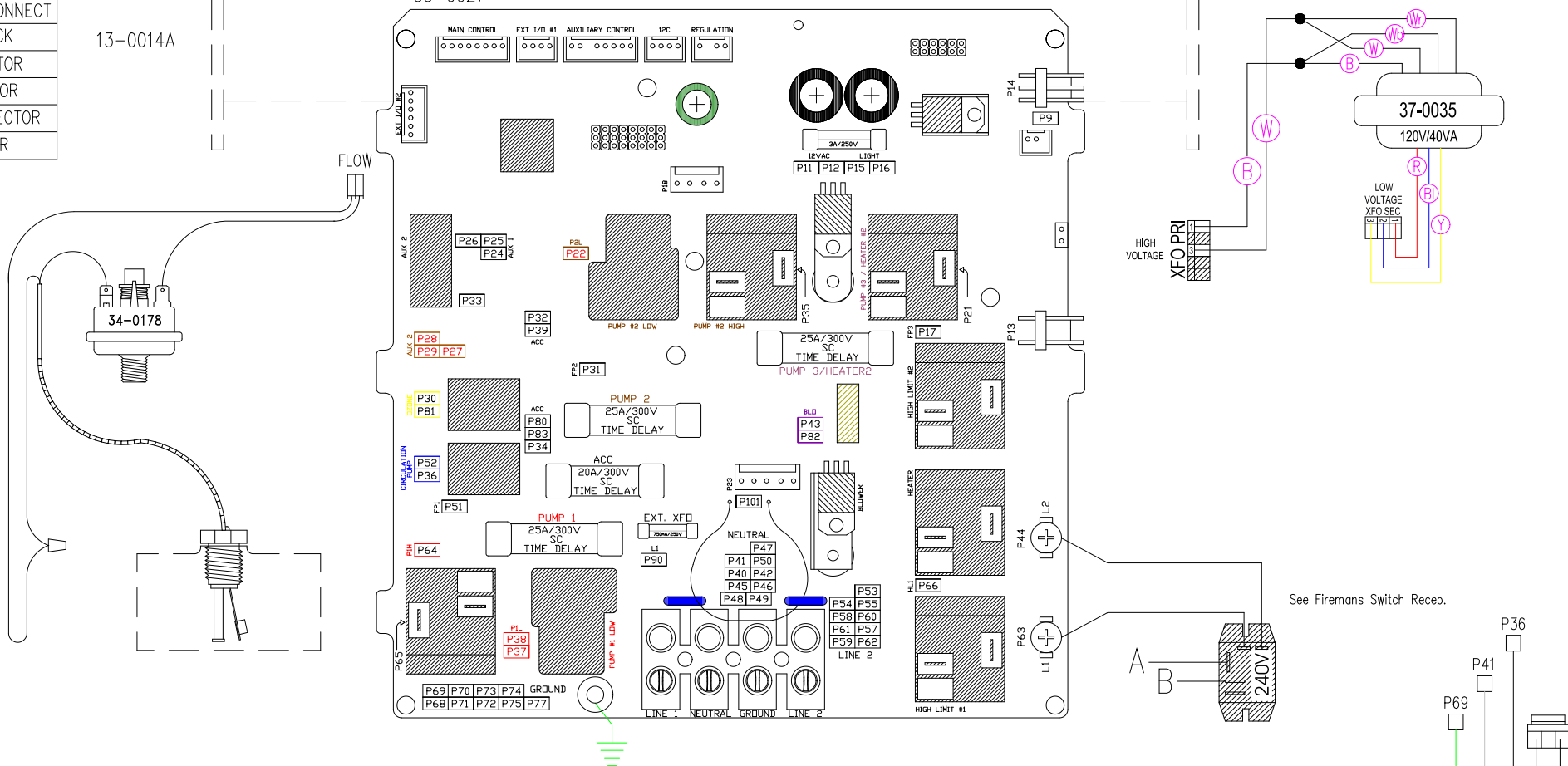


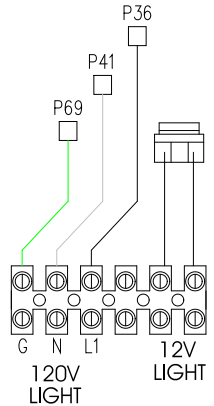
LEGEND	
□	- 1/4" QUICK CONNECT
▢	- 1/4" PIGGYBACK
⊞	- FORK CONNECTOR
○	- RING CONNECTOR
⊞	- SOCKET CONNECTOR
△	- PIN CONNECTOR

13-0014A

33-0027



See Firemans Switch Recep.



HYDRO-QUIP
CORONA, CA (909) 273-7575

Manufacture Notes:

Dwg. No.
G822A0-KLPQY-J

Drawn
BH

Rev
1

Date
07.20.05

Diagram No.
5150

Wire Color Code	
B - Black	G - Green
Br - Brown	Bl - Blue
R - Red	V - Violet
O - Orange	W - White
Y - Yellow	Gr - Gray